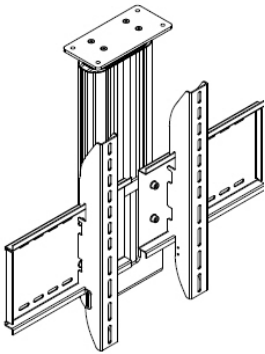


Professional Pop-Down Serie


- Ceiling integration
- 50.000 cycles tested
- 5 Years Flatlift Warranty
- Programmable

In 2 product versions available:

- 665mm
- 1330mm

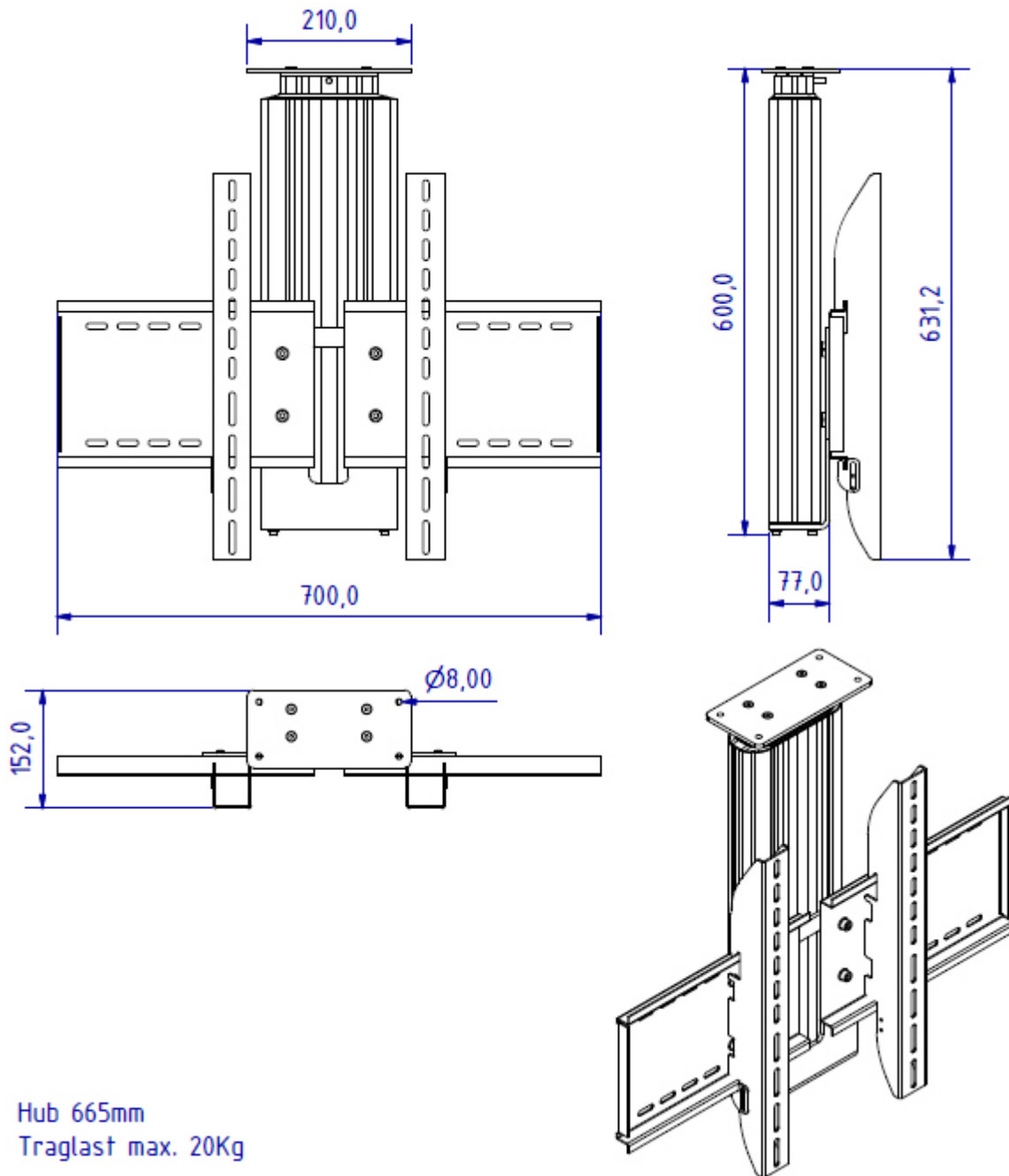
Technical Data:

Productnumber:	check table
e-Drives:	Columns
Operating voltage:	230V~ Input
Power consumption:	1,3A/ 400W
Connection:	Power cable, plug-in power supply
Control:	Radio Remote 433Mhz / potentialfree contacts
Protection class:	IP20
Duty cycle:	10%
Temperature range :	-15 to +70°
Blocking protection:	Electronically
Anti-pinch protection:	Electronically
Lifting force:	250N / 300N
Max. speed:	38mm/s without load
Noise Level:	Low uniform sound
Bending moment:	max. 100Nm dynamically
Colour:	RAL 9005 / RAL 9006 degree of gloss 30
Dimensions:	check table
Structure:	Steelconstruction, powdercoated
Certifications:	EN60335-1 / UL 962

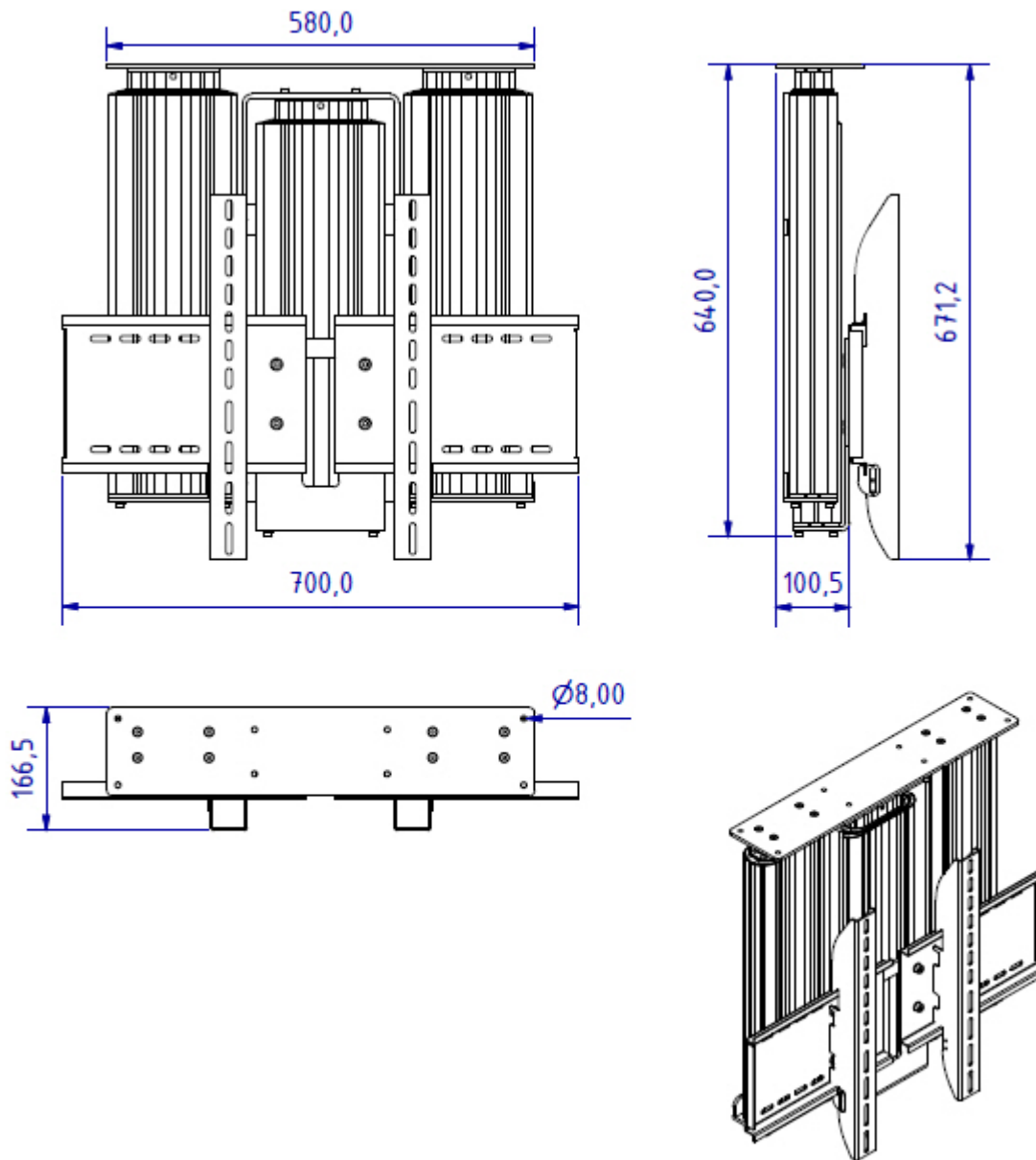
Additional equipment:	Lid-O-Matic Serie
	Lid-Fixing-Brackets
	IR-Remote Set
	PLU Flatlift Software
	Flatlift Remote APP

Professional Pop-Down Serie

Product built in dimensions:



Hub 665mm
Traglast max. 20Kg

Professional Pop-Down Serie
Product built in dimensions:


Hub 1330mm
Traglast max. 30Kg

max. TV height max. TV weight max. TV depth max. stroke

Pop-Down 665 Art. Nr: FL-10081	630mm	25kg	120mm	665mm
Pop-Down 1330 Art. Nr: FL-10082	1000mm	30kg	120mm	1330mm

Professional Pop-Down Serie**Remarks:**

For the TV should be at least 10mm distance per side to the installation site to be selected.

Our systems are supplied as standard with a deadman circuit as well as potential-free contacts.

Optional control options:

- RS 232
- Flatlift APP
- radio 868MHz
- Infrared RC5 code

All systems are TV downwards compatible.

Tendering:**665 Pop-Down - Art.Nr.: FL-10081**

Motorized vertical TV ceiling lift system. Silent lifting movement and Gentle start & stop system. The system is rigid, vertical up and down and Contains an electronic blocking and anti-pinch protection.

- Display sizes 30-42 inches.
- Max. TV height 630mm
- Max. TV Weight 25kg,
- Drive stroke cylindrical,
- 230 V input voltage, max. 1.3A Current consumption at 300Watt power consumption

Product like manufacturer: Flatlift
Type: Flatlift Pop-Down 665

Professional Pop-Down Serie**1330 Pop-Down - Art.Nr.: FL-10082**

Motorized vertical TV ceiling lift system. Silent lifting movement and Gentle start & stop system. The system is rigid, vertically up and down, and contains an electronic blocking and anti-pinch protection.

- Display sizes 50-65 inches.
- Max. TV height of 850mm
- Max. TV Weight 30kg,
- Drive stroke cylindrical,
- 230 V input voltage, max. 1.3A Current consumption at 400Watt power consumption

Product like manufacturer: Flatlift

Type: Flatlift Pop-Down 1330