

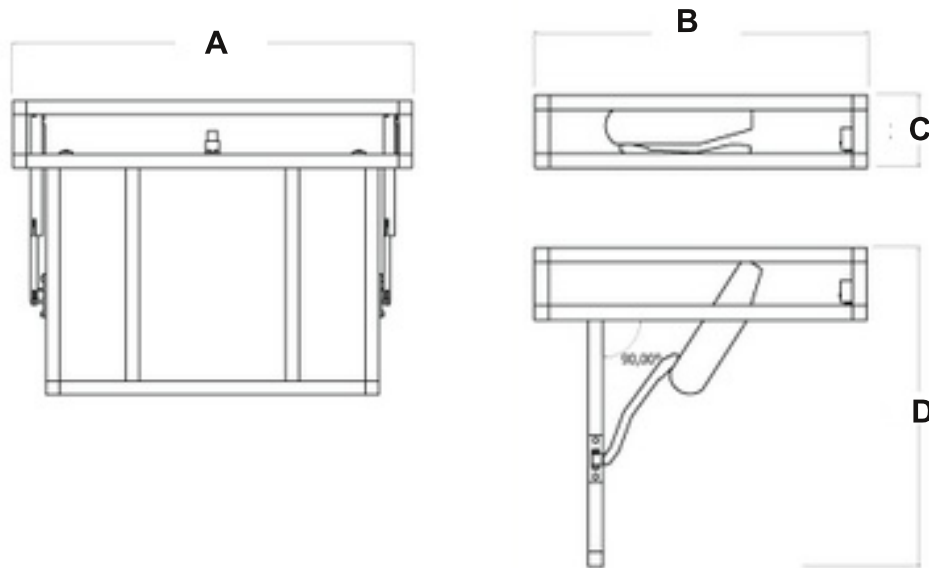
Professional Display Ceiling Lift Serie


- Ceiling Integration
 - up-side-down installation possible
 - 100.000 cycles tested
 - 5 Years Flatlift Warranty
- Yacht- und Aviation installation**

Technical Data:

Productnumber:	check table
e-Drives:	Folding Arms
Operating voltage:	230V~ / 24V Input
Power consumption:	2,6A/ 65W; max. 4A / 850W
Connection:	Power cable, plug-in power supply, clamp connection
Control:	Radio Remote 433Mhz / potentialfree contacts
Protection class:	IP20
Duty cycle:	10%
Temperature range :	-15 to +70°
Blocking protection:	./.
Anti-pinch protection:	./.
Lifting force:	900N
Max. speed:	2°/s without load
Noise Level:	<70dBa
Bending moment:	max. 300Nm dynamically
Colour:	RAL 9005 / RAL 9006 degree of gloss 30
Dimensions:	check table
Structure:	Steelconstruction, powdercoated
Certifications:	on request DGUV-V17 (formerly known BGV-C1)

Additional equipment:	ADD-ON Display Lowering
	ADD-ON Display swivel 90 ri/le (man. or elect.)
	ADD-ON False panel ceiling closure
	Flatlift Remote APP

Professional Display Ceiling Lift Serie
Product built in dimensions:


	A	B	C	D
32 Slimline Pro Art. Nr: FL-10010	1200mm	920mm	200mm*	880mm
50 Slimline Pro Art. Nr: FL-10011	1645mm	1050mm	200mm*	1000mm
65 Slimline Pro Art. Nr: FL-10012	1800mm	1250mm	200mm*	1185mm
103 Slimline Pro Art. Nr: FL-100103	2800mm	1850mm	250mm*	1794mm

max. TV height max. TV width max. TV depth max. TV weight

32 Slimline Pro Art. Nr: FL-10010	680mm	950mm	160mm	90kg
50 Slimline Pro Art. Nr: FL-10011	800mm	1345mm	160mm	90kg
65 Slimline Pro Art. Nr: FL-10012	985mm	1550mm	160mm	90kg
103 Slimline Pro Art. Nr: FL-100103	1550mm	2550mm	160mm	220kg

* Product height can be more flatt by using O-Led displays after previous consultation

Professional Display Ceiling Lift Serie**Remarks:**

Our systems are supplied as standard with a deadman circuit as well as potential-free contacts.

Optional control options:

RS 232 radio 868MHz
- Infrared RC - Flatlift APP

All systems are TV downwards compatible.

Tendering:**32 Slimline Professional TV Ceiling Lift - Art.Nr.: FL-10010**

Motorized Display ceiling lift system for ceiling or intermediate ceiling mounting.
Rigid motorized display ceiling lift system. 90 ° folding movement and gentle start & stop system.

- Display size 32 inches.
- Max. TV height 680mm
- Max. TV Weight 90kg,
- Drive Folding Arms,
- 230 V input voltage, max. 2.6A Current consumption at 65Watt power consumption

Product like manufacturer: Flatlift
Type: Flatlift 32 Slimline Professional

50 Slimline Professional TV Ceiling Lift - Art.Nr.: FL-10011

Motorized Display ceiling lift system for ceiling or intermediate ceiling mounting.
Rigid motorized display ceiling lift system. 90 ° folding movement and gentle start & stop system.

- Display size 50 inches.
- Max. TV height 800mm
- Max. TV Weight 90kg,
- Drive Folding Arms,
- 230 V input voltage, max. 2.6A Current consumption at 65Watt power consumption

Product like manufacturer: Flatlift
Type: Flatlift 50 Slimline Professional

Tendering:**65 Slimline Professional TV Ceiling Lift - Art.Nr.: FL-10012**

Motorized Display ceiling lift system for ceiling or intermediate ceiling mounting.
Rigid motorized display ceiling lift system. 90 ° folding movement and gentle start & stop system.

- Display size 65 inches.
- Max. TV height 985mm
- Max. TV Weight 90kg,
- Drive Folding Arms,
- 230 V input voltage, max. 2.6A Current consumption at 65Watt power consumption

Product like manufacturer: Flatlift
Type: Flatlift 65 Slimline Professional

103 Slimline Professional TV Ceiling Lift - Art.Nr.: FL-100103

Motorized Display ceiling lift system for ceiling or intermediate ceiling mounting.
Rigid motorized display ceiling lift system. 90 ° folding movement and gentle start & stop system.

- Display sizes 103 to 115 inches.
- Max. TV height 1550mm
- Max. TV Weight 220kg,
- drive Tubedrive,
- 230 V input voltage, max. 8A Current consumption at 1700 Watt power consumption

Product like manufacturer: Flatlift
Type: Flatlift 103 Slimline Professional